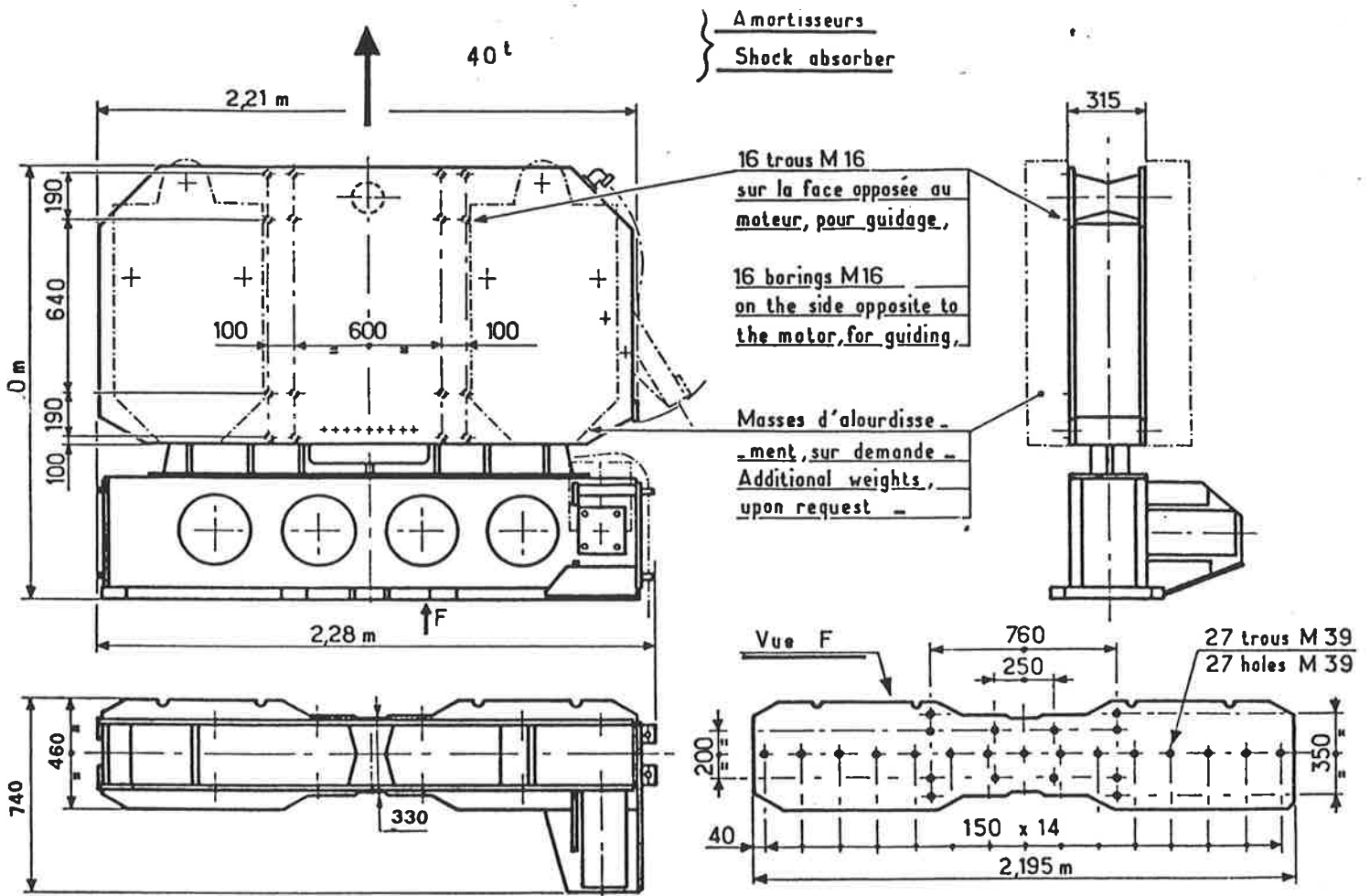


PTC VIBROFONCEUR 25 H1



SPECIFICATIONS:

Eccentric moment:	Nm	200
Max. frequency:	r.p.m	1750
Max. centrifugal force:	kN	690
Max. line pull capacity:	kN	400
Vibrating weight:	kg	2100
Total weight:	kg	3500
Max. amplitude:	mm	19
Length:	m	2.280
Max. width:	m	0.740
Centre width max.:	m	0.330
Height without clamp:	m	1.800